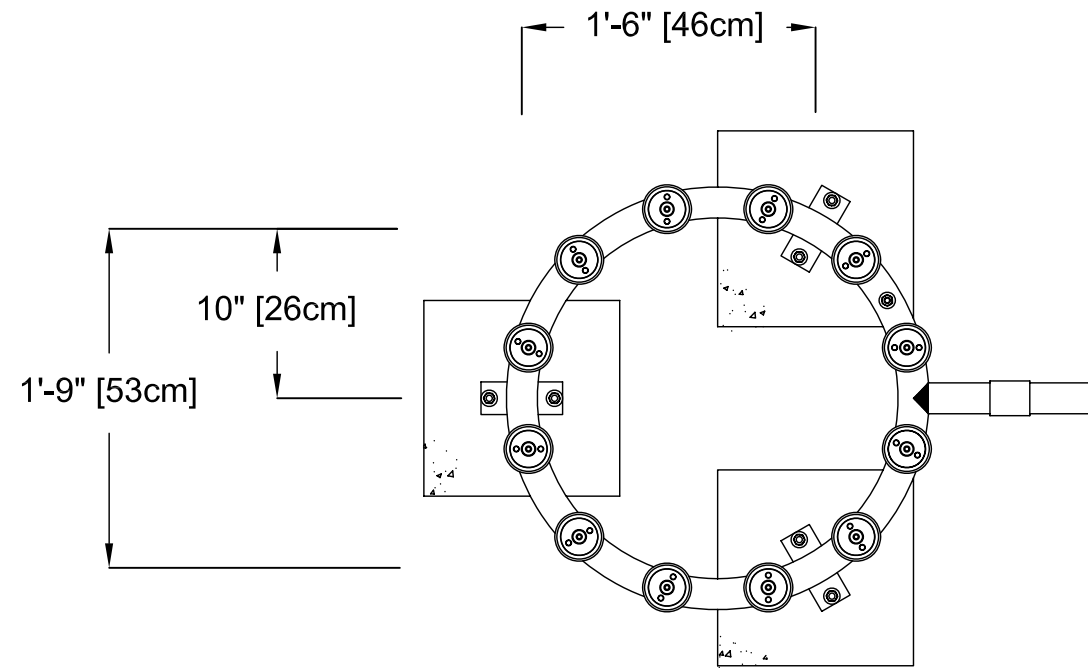


PLAN VIEW



FRONT ELEVATION VIEW

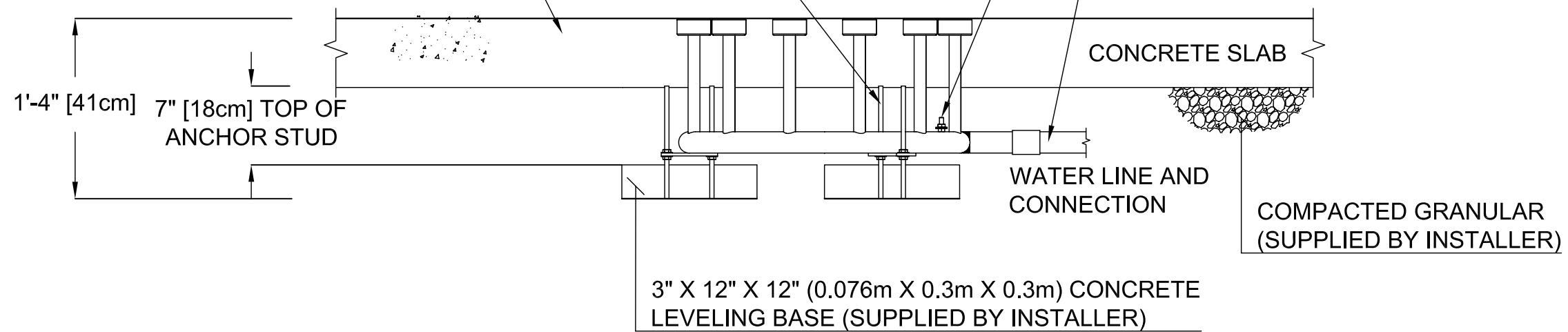
6 X 3/8" (10mm) S.S. HEIGHT & LEVELING CONTROL ANCHOR STUDS WITH HARDWARE.

DRILL & EPOXY GROUT STUDS (DONE BY INSTALLER)

CONCRETE SURFACE, VERY LOCAL CODES FOR TYPE, THICKNESS & REINFORCEMENT REQUIREMENTS.

3/8" (10mm) EARTH GROUNDING STUD.

WATER LINE INLET 1 1/2" (40mm) NPT. MIN. 2° SLOPE BACK TO WATER SUPPLY. REFER TO CONSTRUCTION DOCUMENTS FOR LINE SIZE DETAILS. (LINE CONNECTION SUPPLIED BY INSTALLER)



VOR-0306.0XXX DONUT SPRAY (Construction Detail)

PRODUCT NAME: DONUT SPRAY

PRODUCT INFORMATION

PRODUCT NUMBER: VOR-0306.0XXX

DATE: 06/18/09

SHEET NO: 1/1

11"x17" SHEET SIZE

