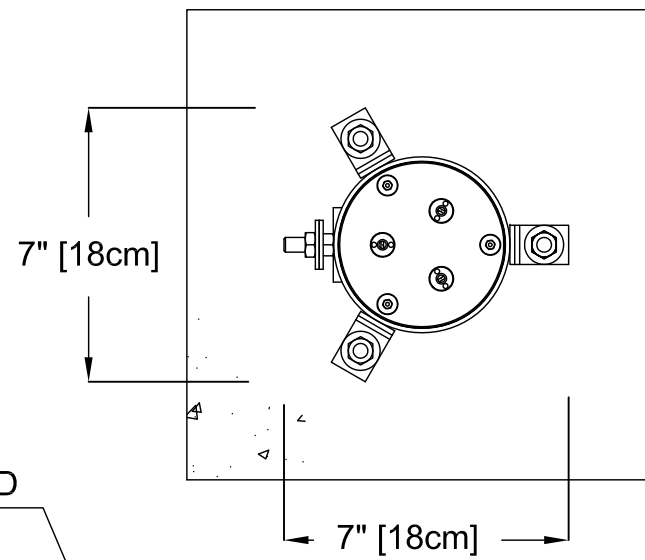


PLAN VIEW



$\frac{3}{8}$ " (10mm) EARTH GROUNDING STUD

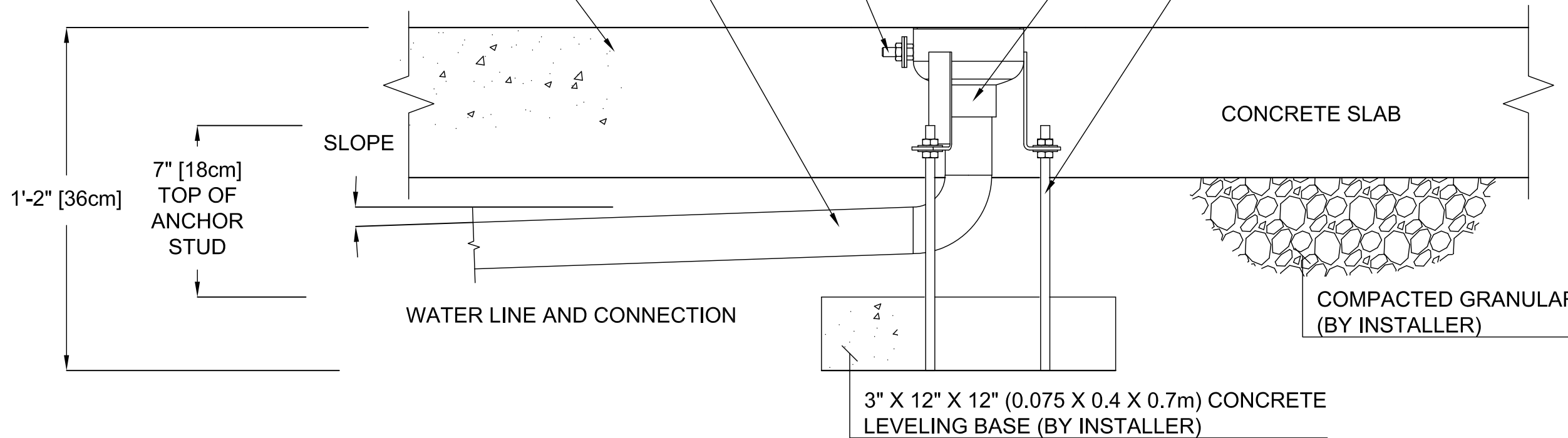
FRONT ELEVATION VIEW

WATER LINE INLET  $1\frac{1}{2}$ " (38mm). LINE CONNECTION BY INSTALLER. 2° SLOPE BACK TO WATER SUPPLY. REFER TO CONSTRUCTION DOCUMENTS FOR LINE SIZE DETAILS.

WATER LINE CONNECTION  $1\frac{1}{2}$ " (38mm) NPT FEMALE THREAD

CONCRETE SURFACE. VERIFY LOCAL CODES FOR TYPE, THICKNESS & REINFORCEMENT REQUIREMENTS

3 X S.S. HEIGHT & LEVELING CONTROL ANCHOR STUDS WITH HARDWARE. DRILL & EPOXY GROUT STUDS (BY INSTALLER)



**VOR-8099.4000 MAGIC MIST N°2 (Construction Detail)**

PRODUCT NAME: MAGIC MIST N°2

PRODUCT INFORMATION

PRODUCT NUMBER: VOR-8099.4000

DATE: 05/16/11

SHEET NO: 1/1

11"x17" SHEET SIZE

