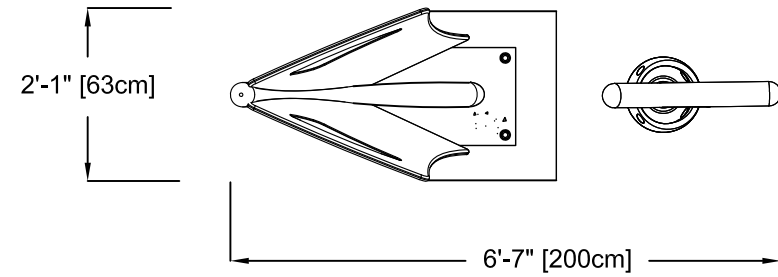


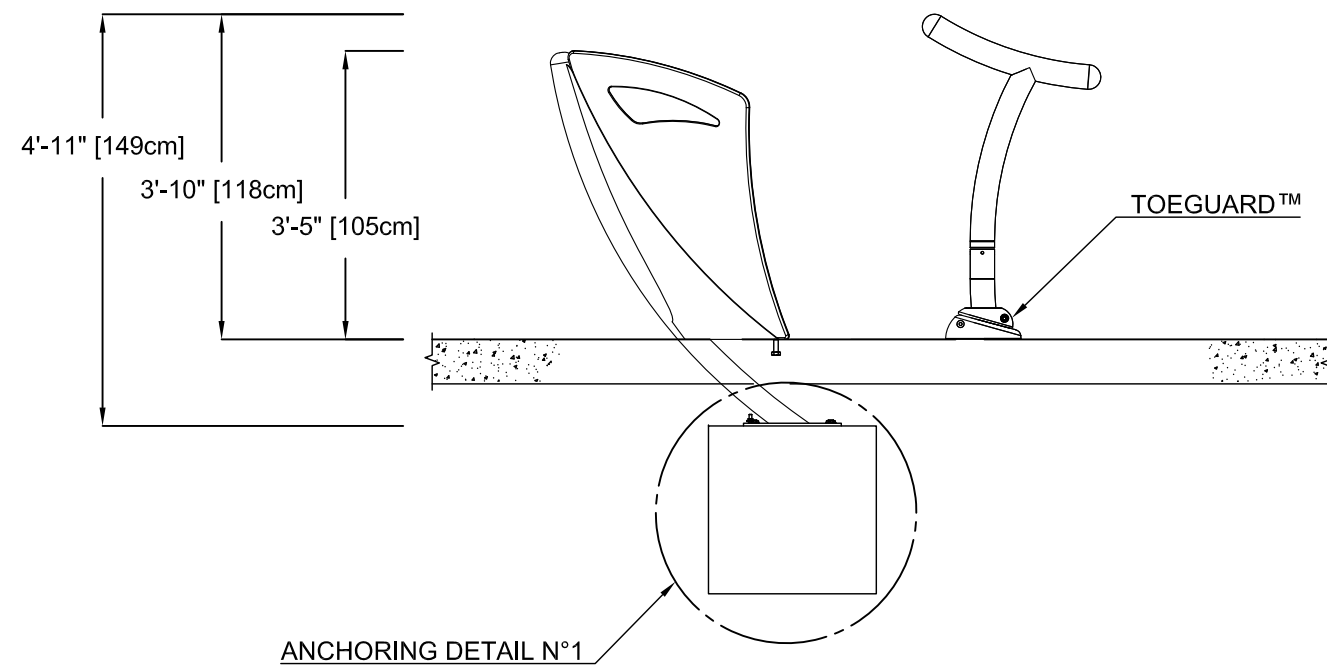
PLAN VIEW



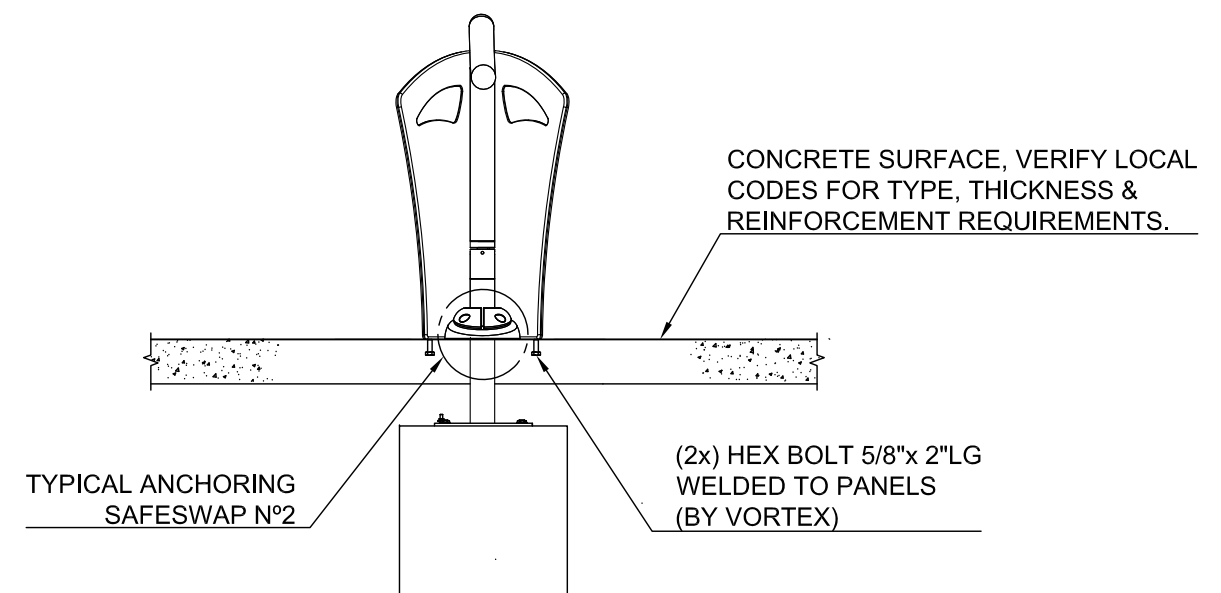
NOTE:

1- BY INSTALLER/BY CONTRACTOR MAY REFER TO SERVICE PROVIDERS OTHER THAN THE EQUIPMENT MANUFACTURER.
PLEASE REFER TO PROJECT SPECIFICATION FOR DETAILS OF RESPONSIBILITY.

FRONT ELEVATION VIEW



SIDE ELEVATION VIEW



PRODUCT NAME: BOW N°1

PRODUCT INFORMATION

PRODUCT NUMBER: VOR-7673.4008

DATE: 06/05/14

SHEET NO: 1/3

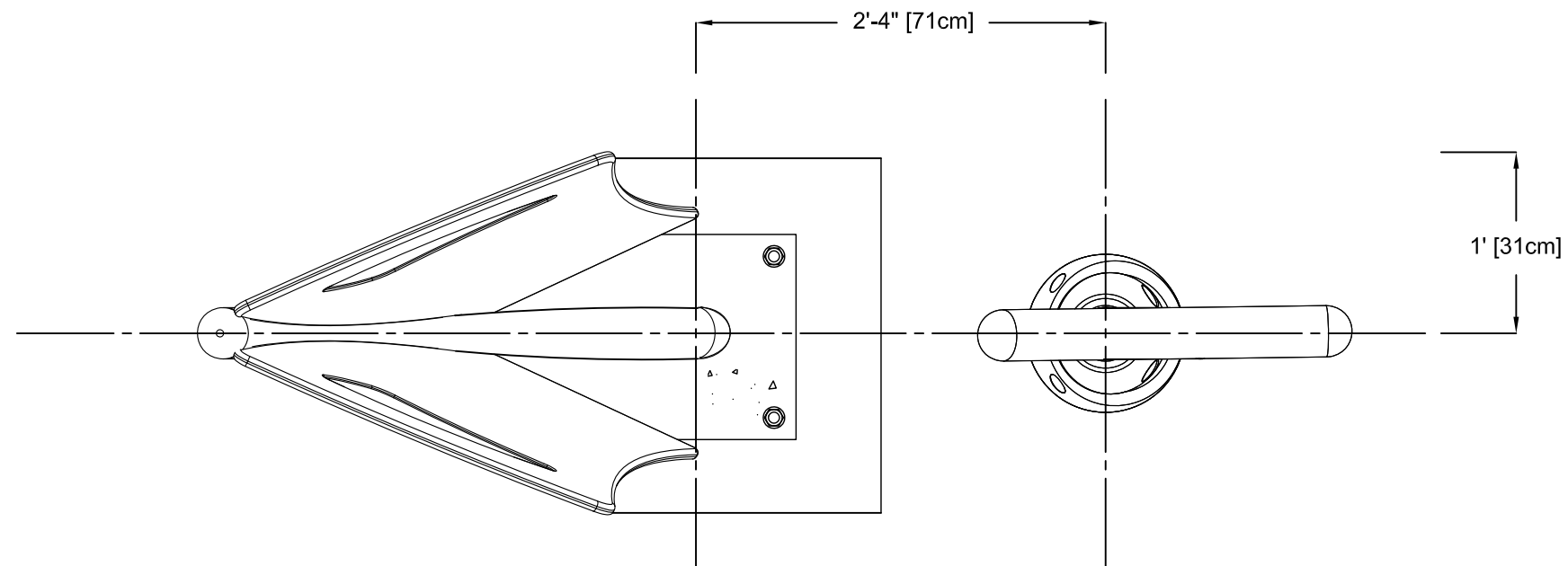
11"x17" SHEET SIZE



NOTE:

1- BY INSTALLER/BY CONTRACTOR MAY REFER TO SERVICE PROVIDERS OTHER THAN THE EQUIPMENT MANUFACTURER.
PLEASE REFER TO PROJECT SPECIFICATION FOR DETAILS OF RESPONSIBILITY.

ANCHORING LOCATIONS



PRODUCT NAME: BOW N°1

PRODUCT NUMBER: VOR-7673.4008

DATE: 06/05/14

PRODUCT INFORMATION

SHEET NO: 2/3

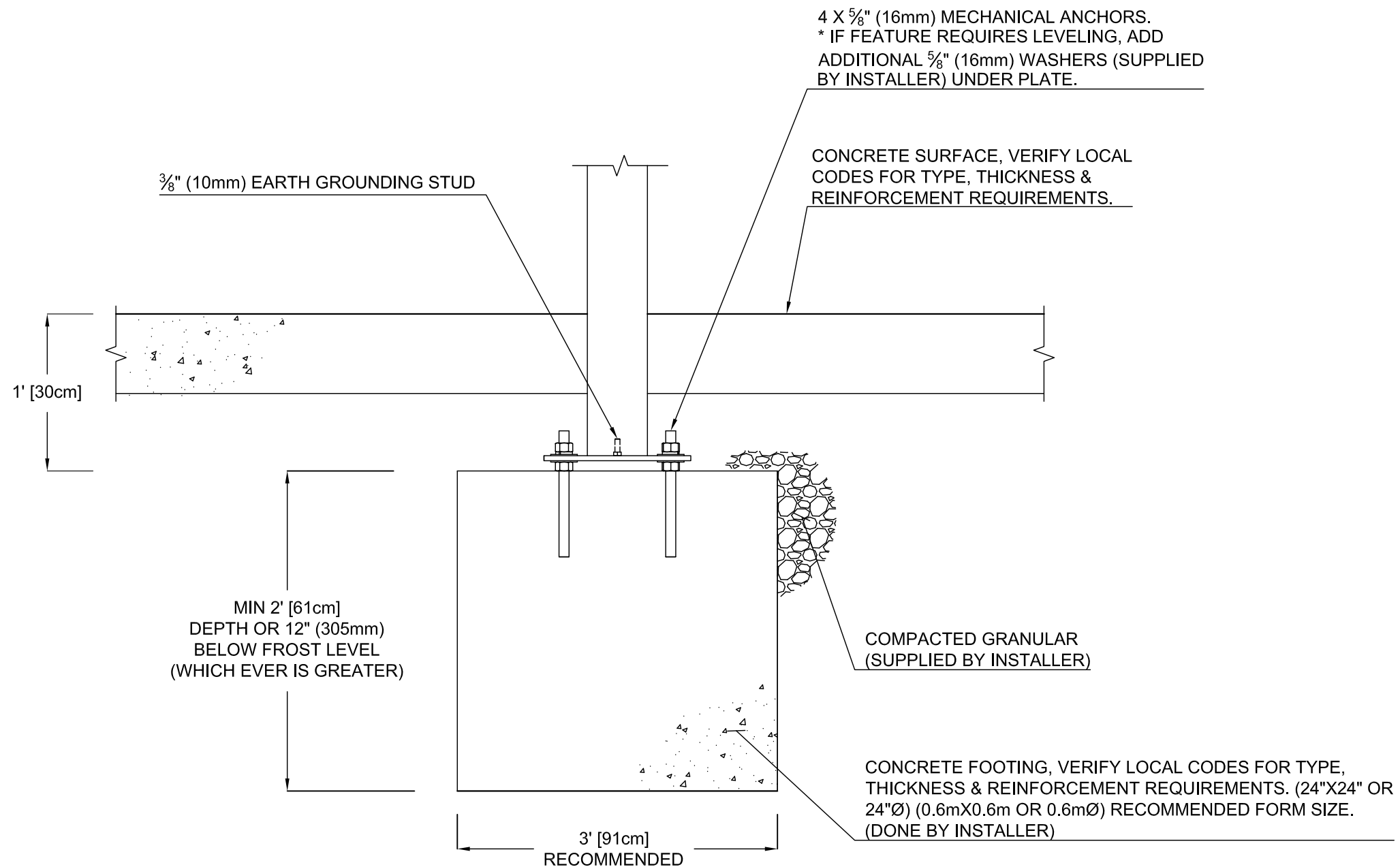
11"x17" SHEET SIZE



NOTE:

1- BY INSTALLER/BY CONTRACTOR MAY REFER TO SERVICE PROVIDERS OTHER THAN THE EQUIPMENT MANUFACTURER. PLEASE REFER TO PROJECT SPECIFICATION FOR DETAILS OF RESPONSIBILITY.

ANCHORING DETAIL N°1



PRODUCT NAME: BOW N°1

PRODUCT INFORMATION

PRODUCT NUMBER: VOR-7376.4008

DATE: 06/05/14

SHEET NO: 3/3

11"x17" SHEET SIZE

