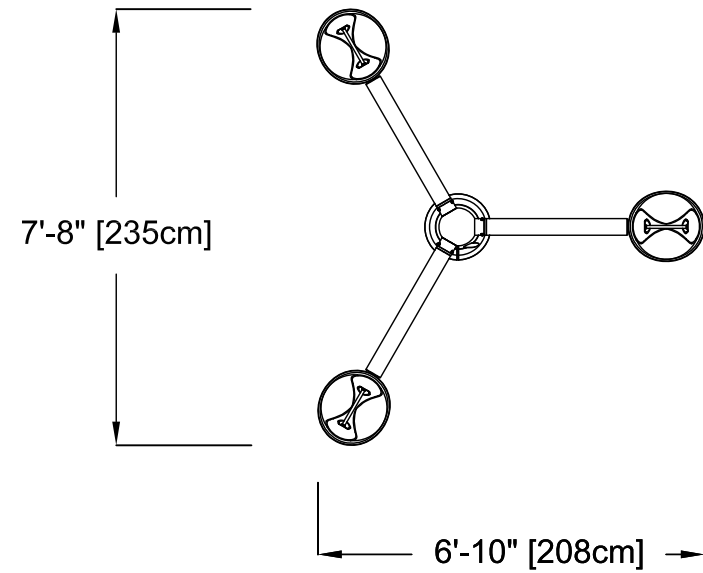
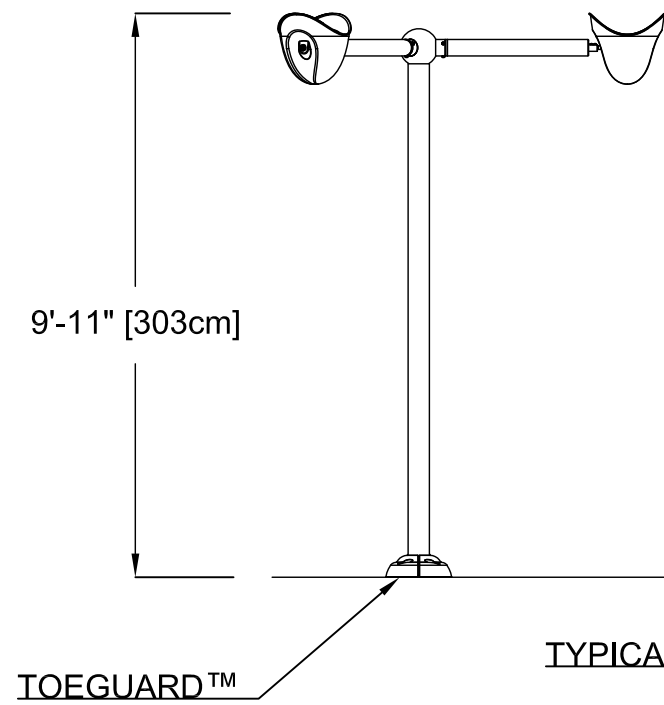


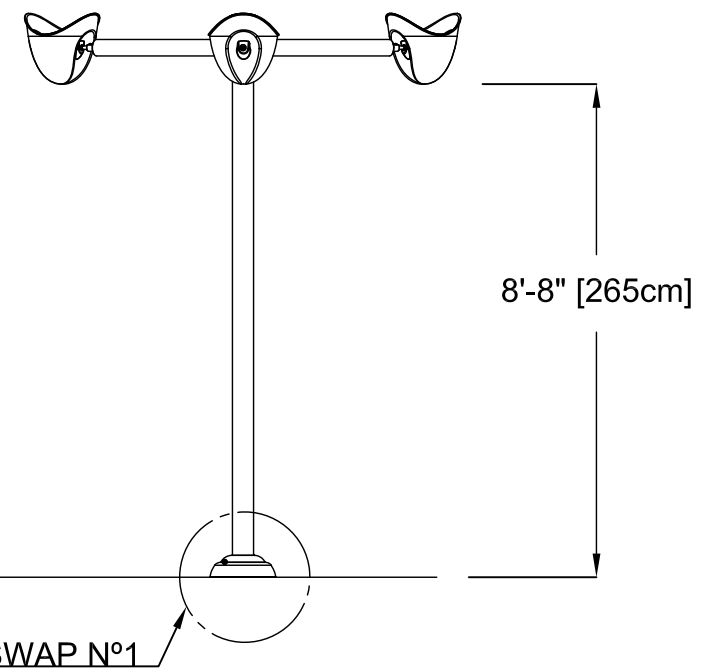
PLAN VIEW



FRONT ELEVATION VIEW



SIDE ELEVATION VIEW



TOEGUARD™

TYPICAL ANCHORING SAFESWAP N°1

PRODUCT NAME: SPLASH TRIO

PRODUCT NUMBER: VOR-7603.2XXX

PRODUCT INFORMATION

DATE: 08/24/20

SHEET NO: 1/1

11"x17" SHEET SIZE

