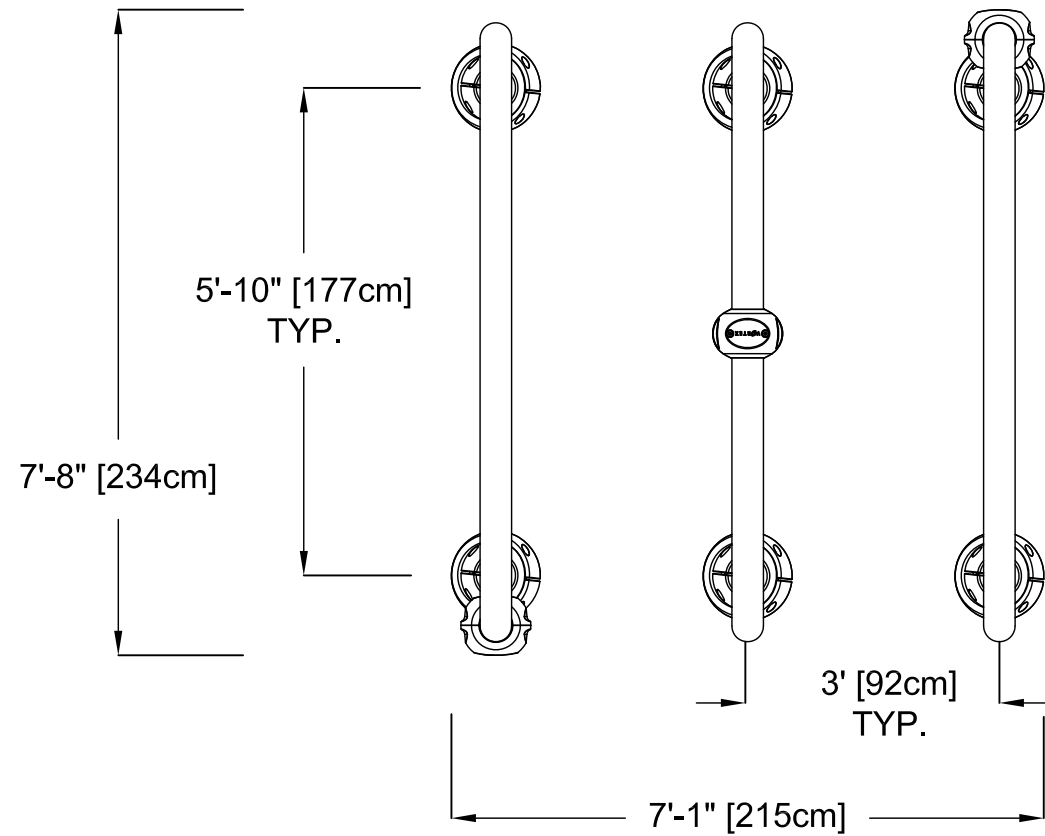
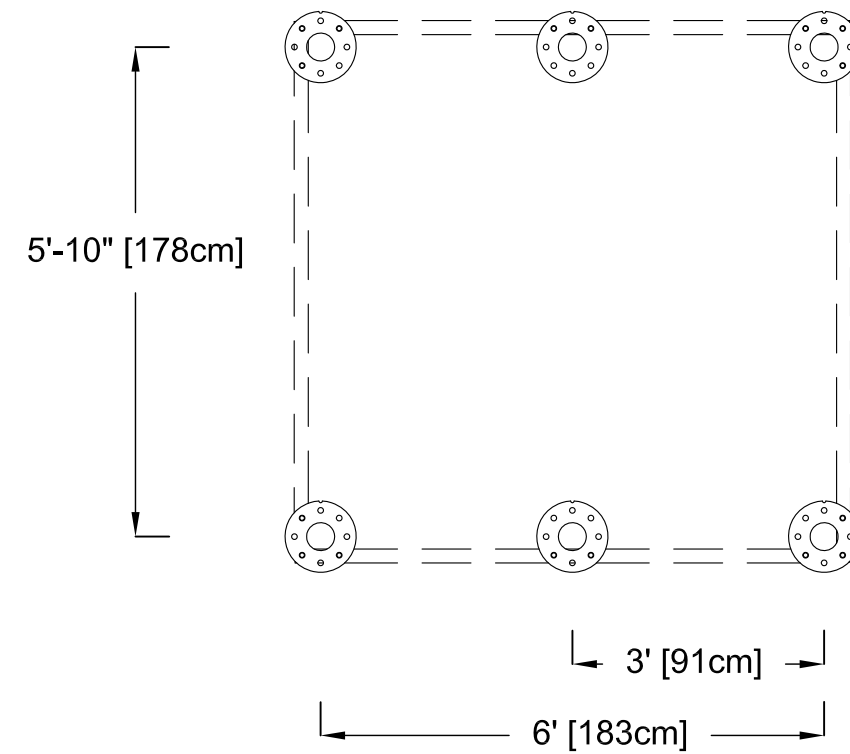


PLAN VIEW

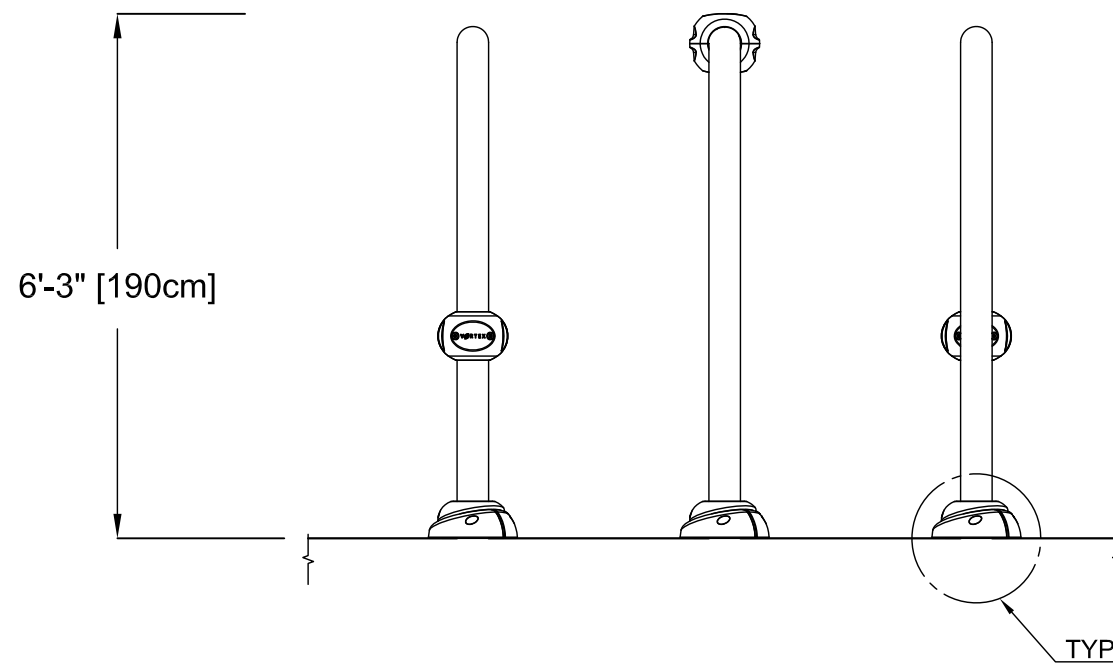


ANCHORING LOCATIONS

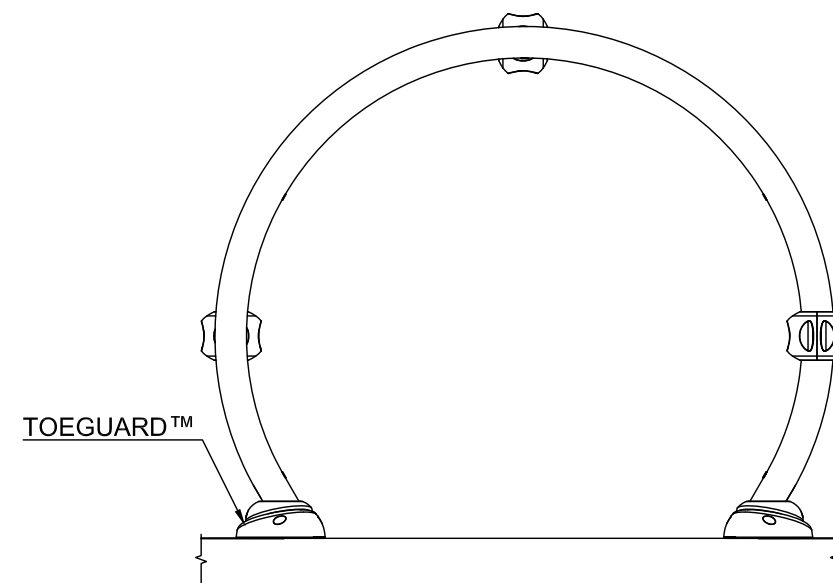


INSTALLATION TEMPLATE (TOOL KIT #55002.1174) REFER TO MAINTENANCE MANUAL FOR INSTRUCTIONS ON INSTALLATION DETAIL AND TOOL KIT #55002.1174 MUST BE USED DURING CONCRETE POURING FOR THE PLACEMENT OF THE SAFESWAP TO ENSURE CORRECT PLACEMENT FOR FEATURES.

FRONT ELEVATION VIEW



SIDE ELEVATION VIEW



**VOR-7398.2XXX ORBIT (Construction Detail)**

PRODUCT NAME: ORBIT

PRODUCT NUMBER: VOR-7398.2XXX

PRODUCT INFORMATION

DATE: 06/19/13

SHEET NO: 1/1

11"x17" SHEET SIZE

