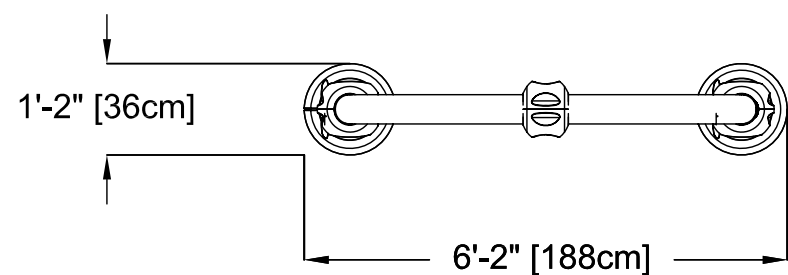
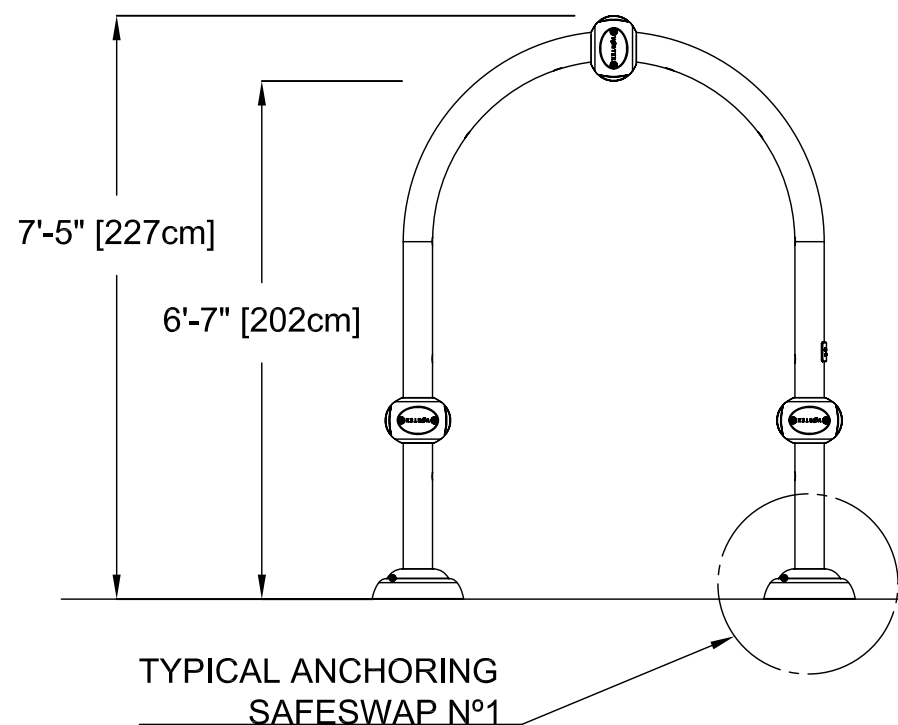


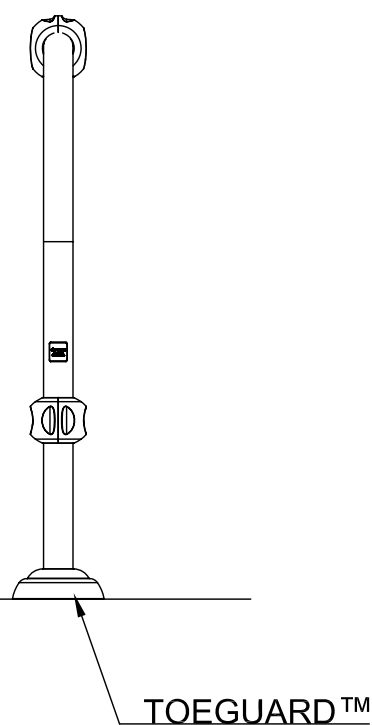
PLAN VIEW



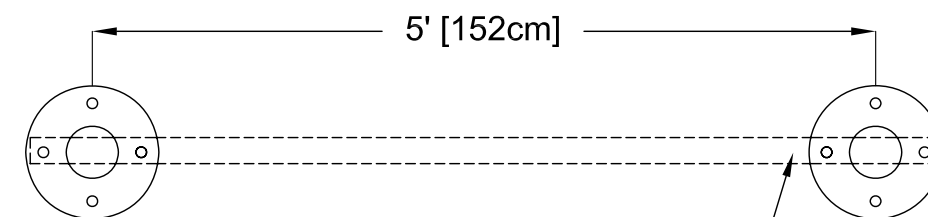
FRONT ELEVATION VIEW



SIDE ELEVATION VIEW



ANCHORING LOCATIONS



INSTALLATION TEMPLATE (TOOL KIT #55002.1020)

REFER TO MAINTENANCE MANUAL FOR INSTRUCTIONS ON INSTALLATION DETAIL AND TOOL KIT #55002.1020 MUST BE USED DURING CONCRETE POURING FOR THE PLACEMENT OF THE SAFESWAP TO ENSURE CORRECT PLACEMENT FOR FEATURES.

**VOR-7397.0XXX PLUX ARCH (Construction Detail)**

PRODUCT NAME: PLUX ARCH

PRODUCT NUMBER: VOR-7397.0XXX

PRODUCT INFORMATION

DATE: 06/17/09

SHEET NO: 1/1

11"x17" SHEET SIZE

