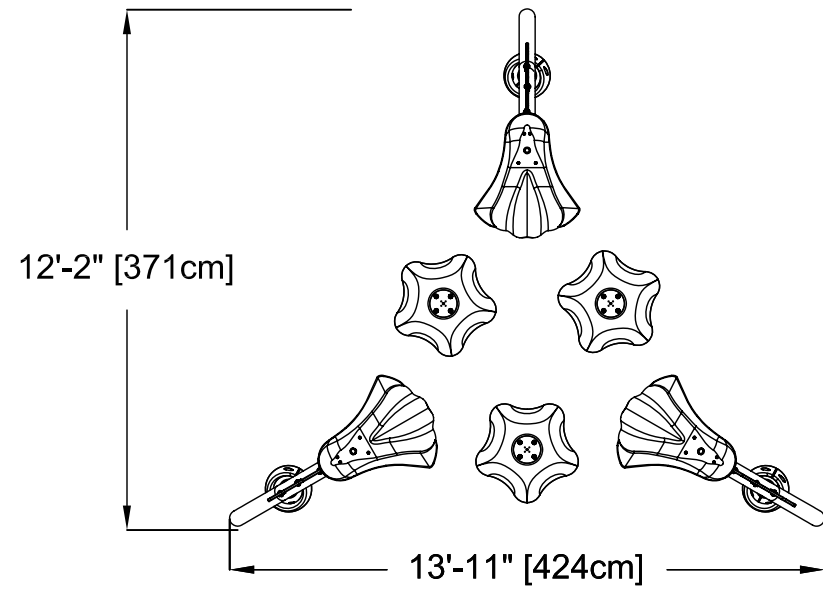
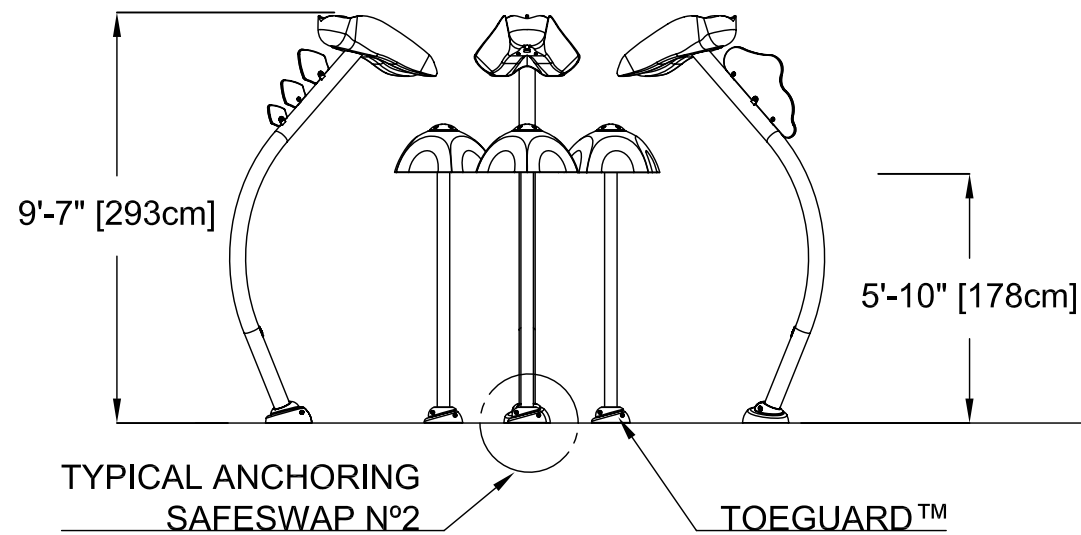


**ANCHORING LOCATIONS**

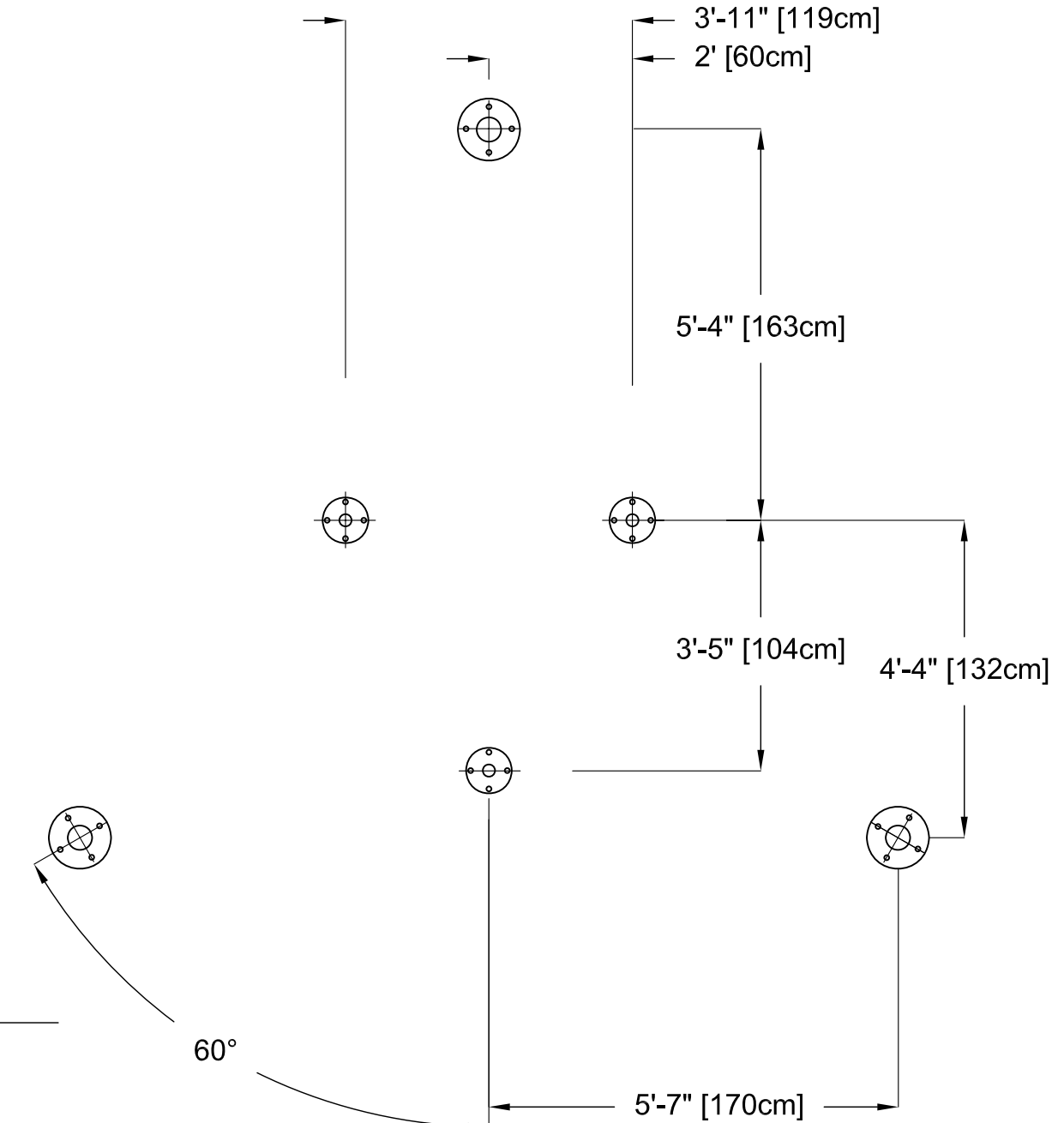
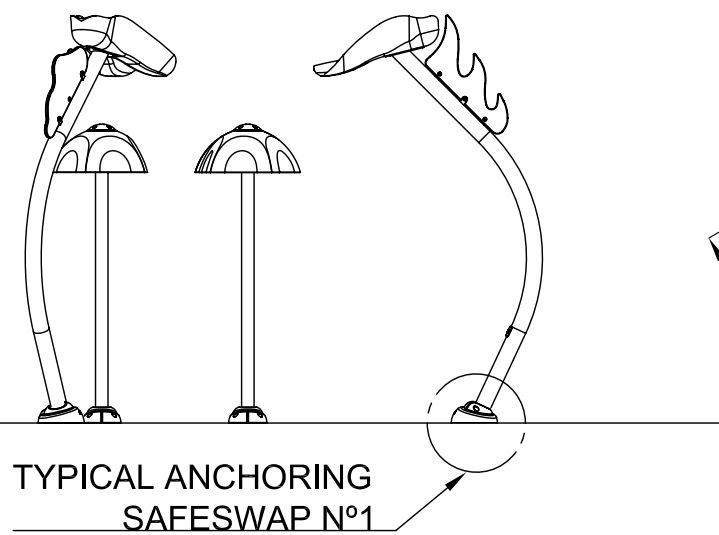
**PLAN VIEW**



**FRONT ELEVATION VIEW**



**SIDE ELEVATION VIEW**



**VOR-7300.0000 AQUALIEN RAINFOREST N°1 (Construction Detail)**

PRODUCT NAME: AQUALIEN RAINFOREST N°1

PRODUCT INFORMATION

PRODUCT NUMBER: VOR-7300.0000

DATE: 06/04/09

SHEET NO: 1/1

11"x17" SHEET SIZE

