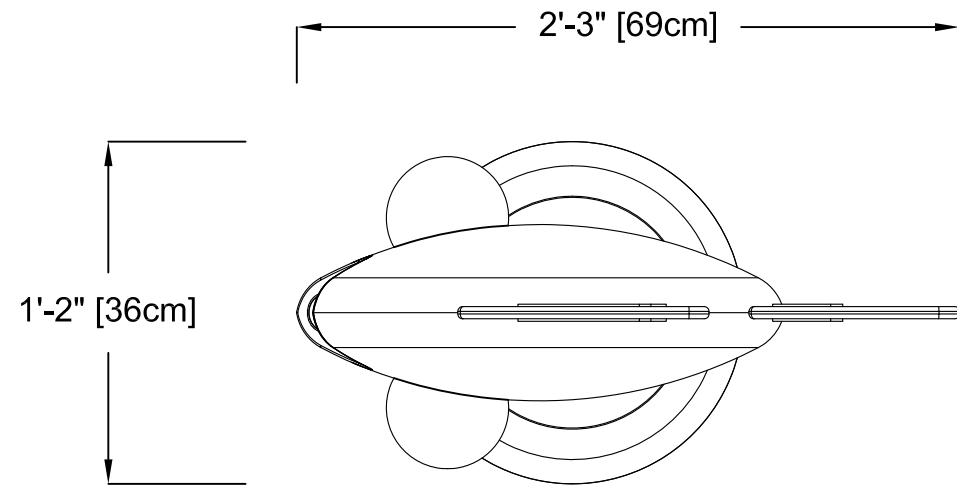
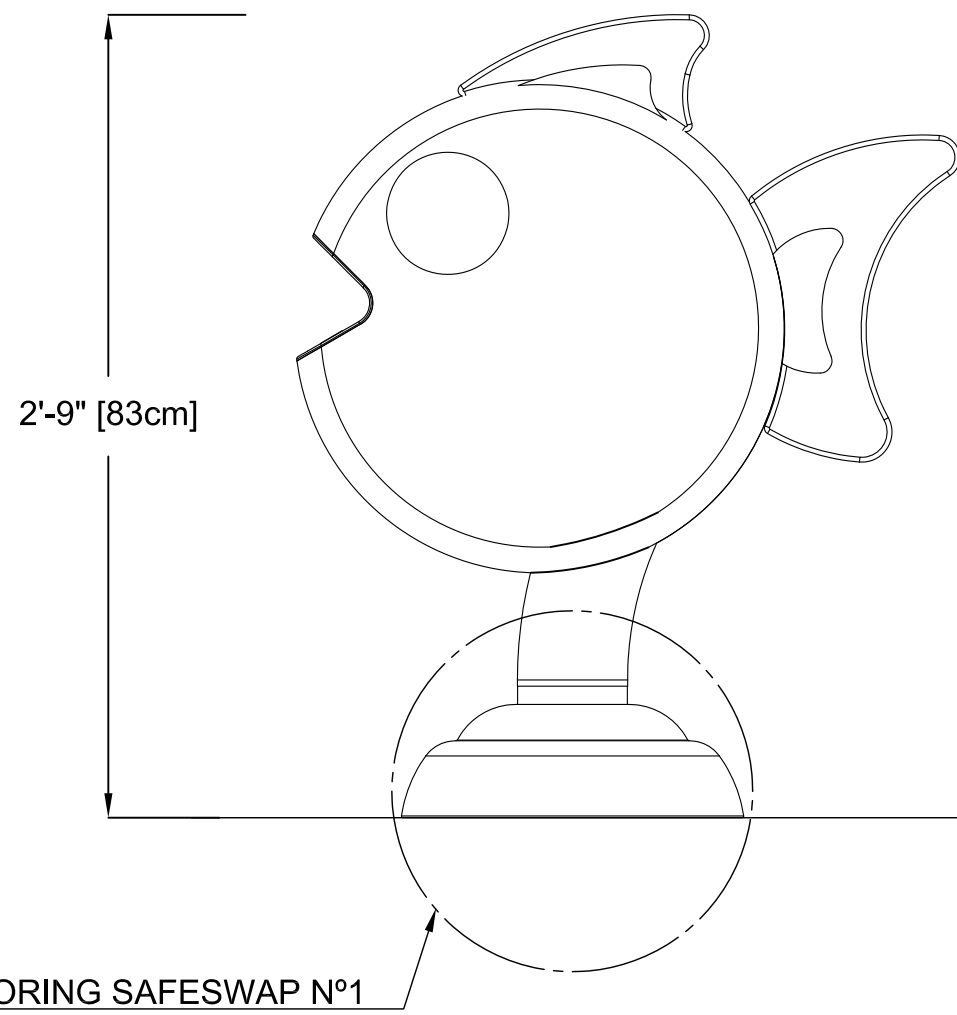


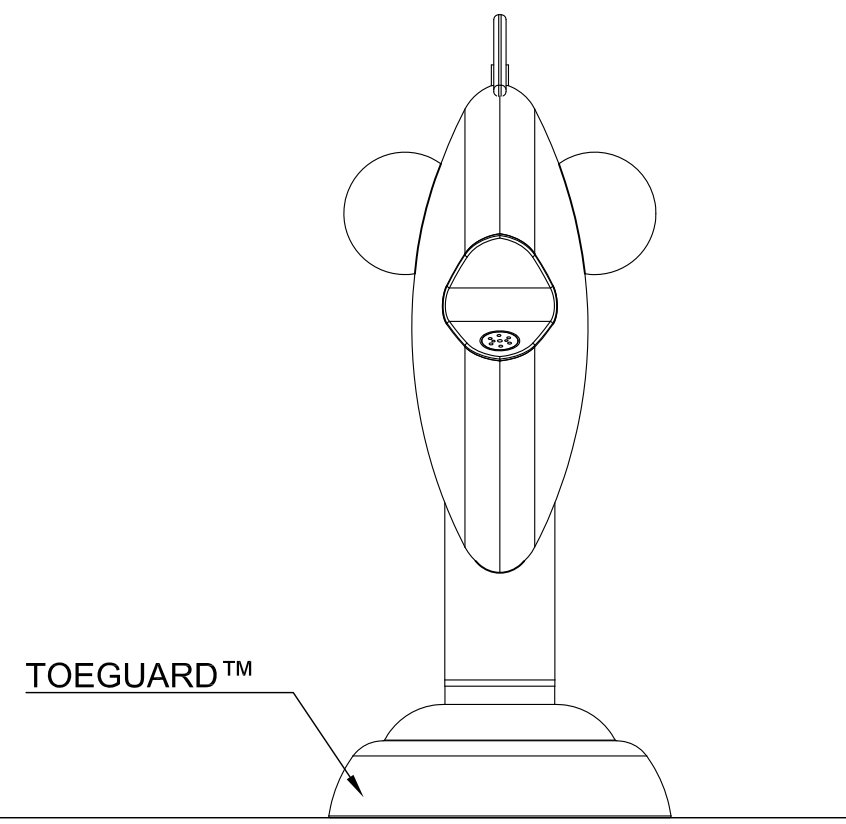
PLAN VIEW



FRONT ELEVATION VIEW



SIDE ELEVATION VIEW



**VOR-7218.2XXX FISH No1 (Construction Detail)**

PRODUCT NAME: FISH No1

PRODUCT INFORMATION

PRODUCT NUMBER: VOR-7218.2XXX

DATE: 01/26/15

SHEET NO: 1/1

11"x17" SHEET SIZE

