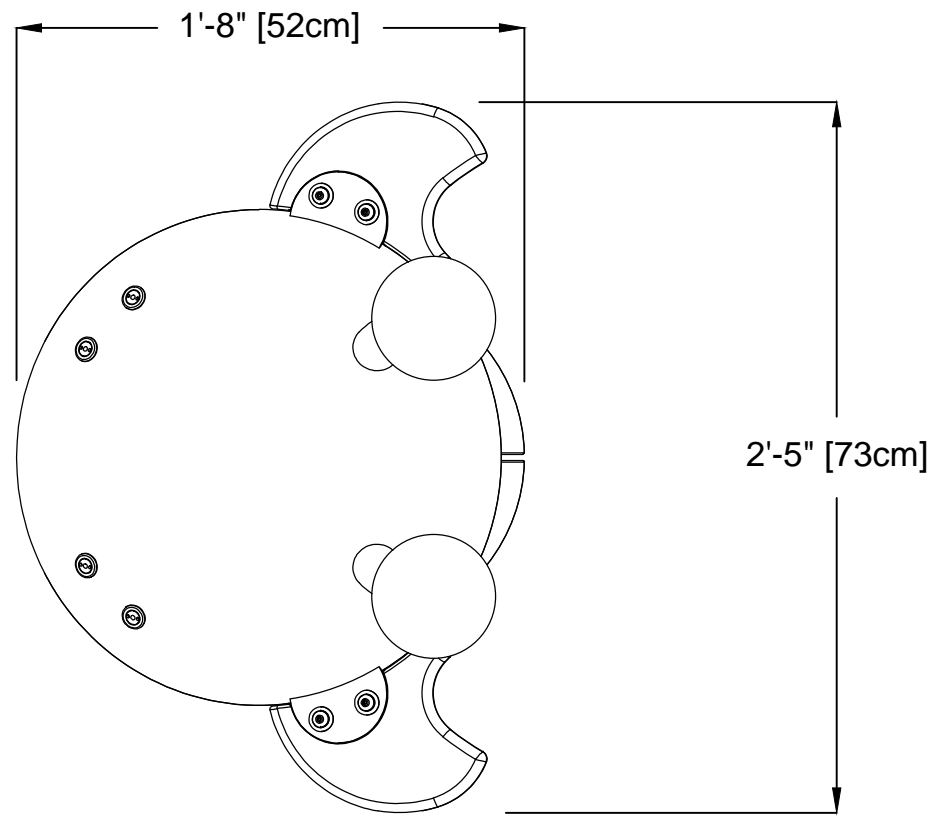
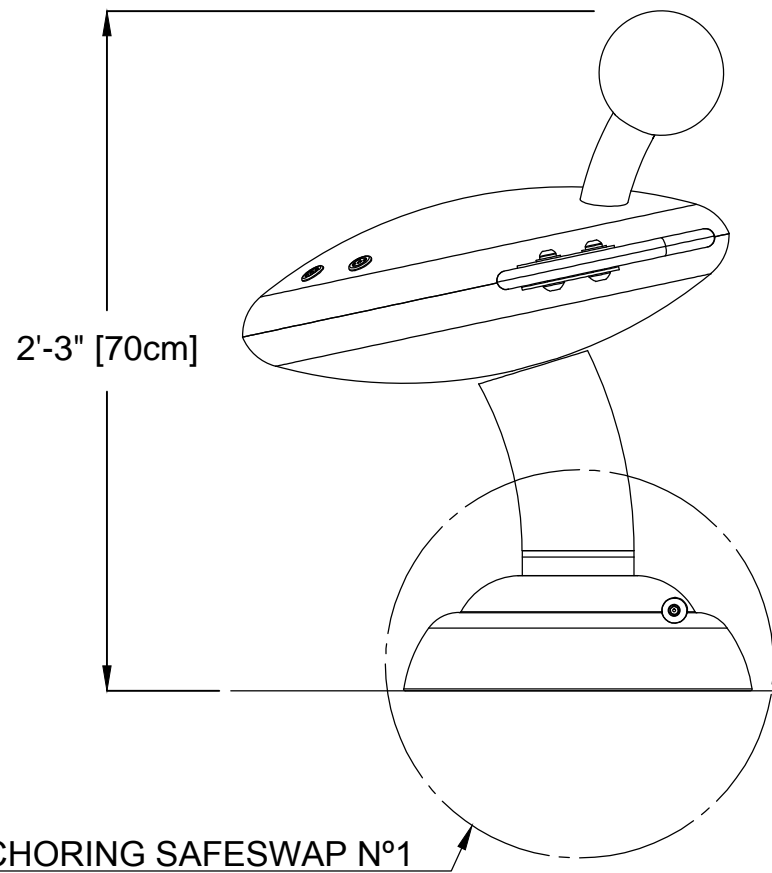


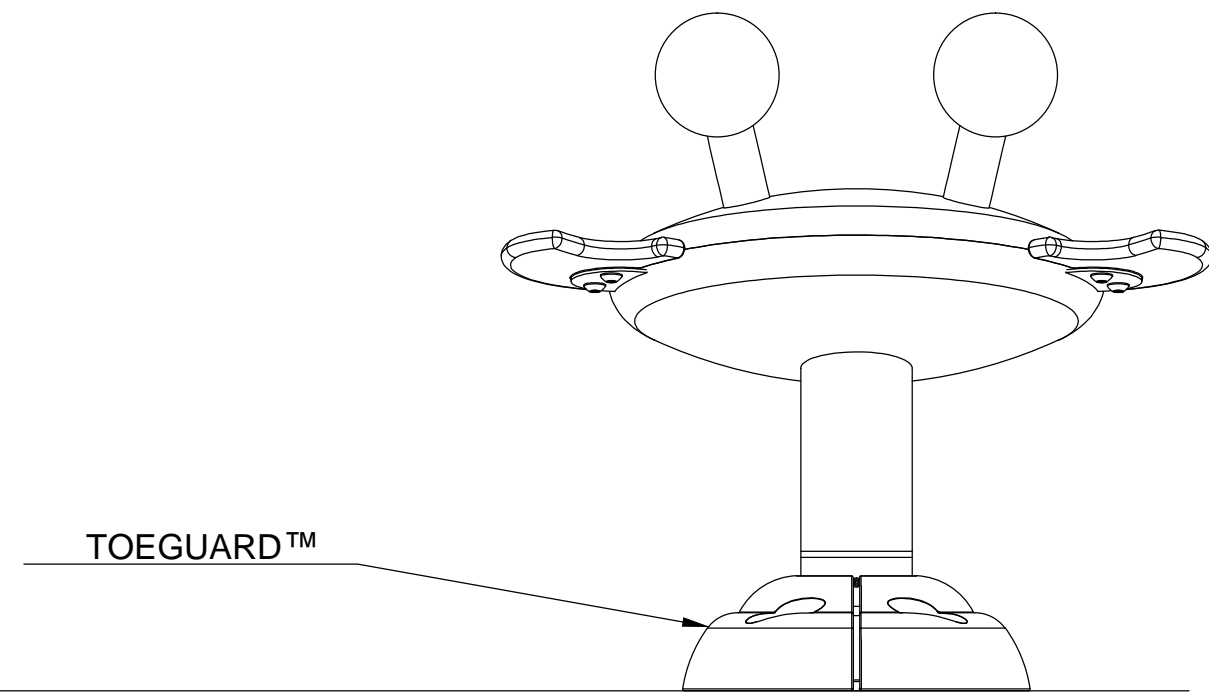
PLAN VIEW



FRONT ELEVATION VIEW



SIDE ELEVATION VIEW



TYPICAL ANCHORING SAFESWAP N°1

PRODUCT NAME: CRAB No1

PRODUCT INFORMATION

PRODUCT NUMBER: VOR-7208.2XXX

DATE: 10/21/15

SHEET NO: 1/1

11"x17" SHEET SIZE

