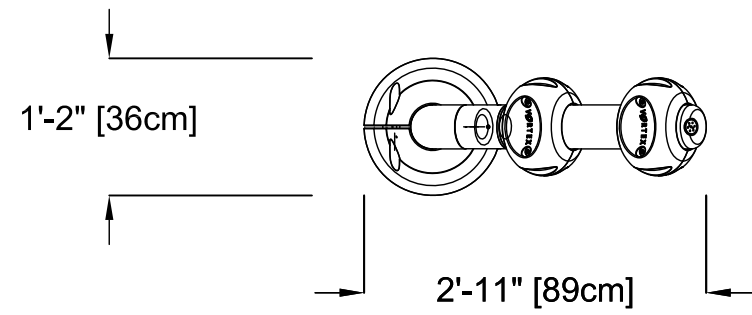
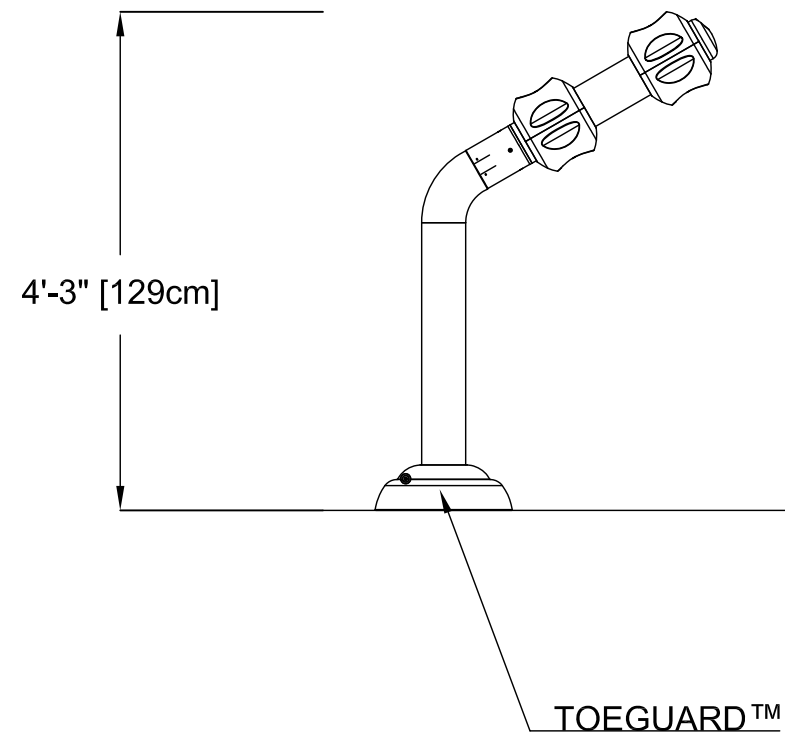


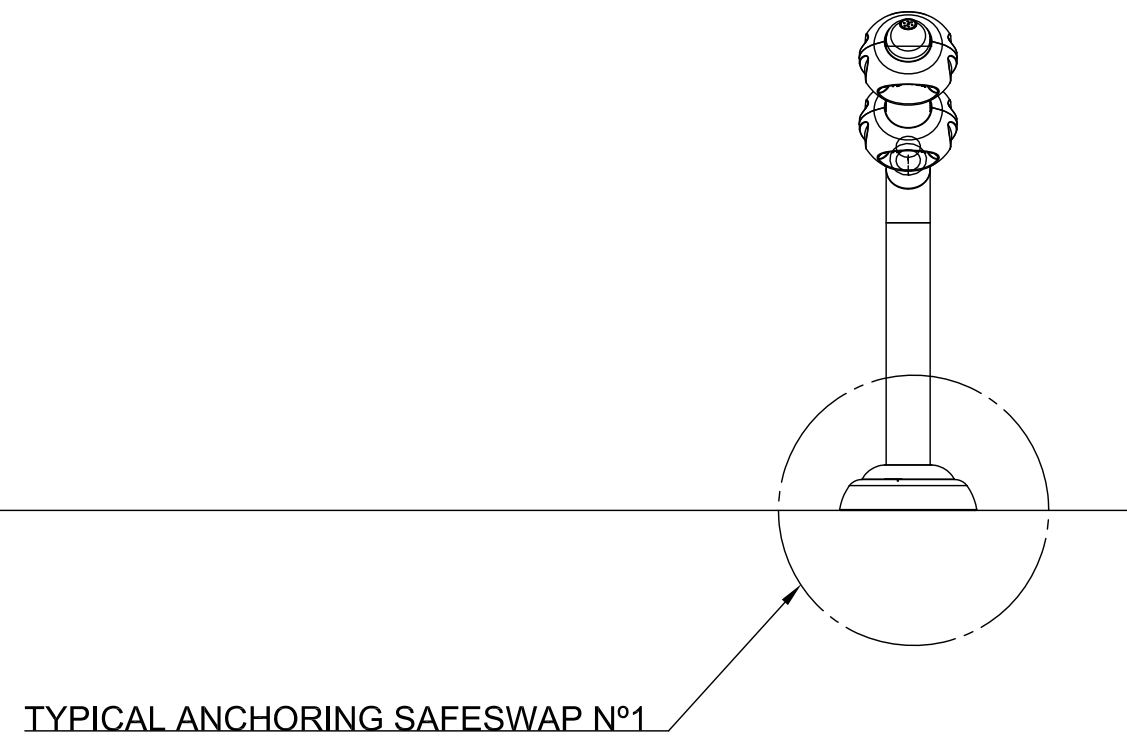
PLAN VIEW



FRONT ELEVATION VIEW



SIDE ELEVATION VIEW



VOR-0535.2XXX ANGLED TWISTER (Construction Detail)

PRODUCT NAME: ANGLED TWISTER

PRODUCT INFORMATION

PRODUCT NUMBER: VOR-0535.2XXX

DATE: 06/18/09

SHEET NO: 1/1

11"x17" SHEET SIZE

