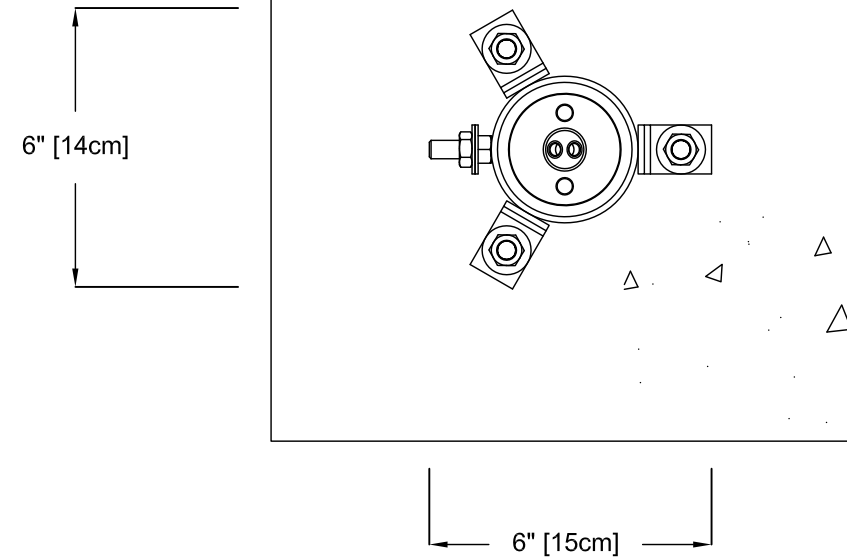
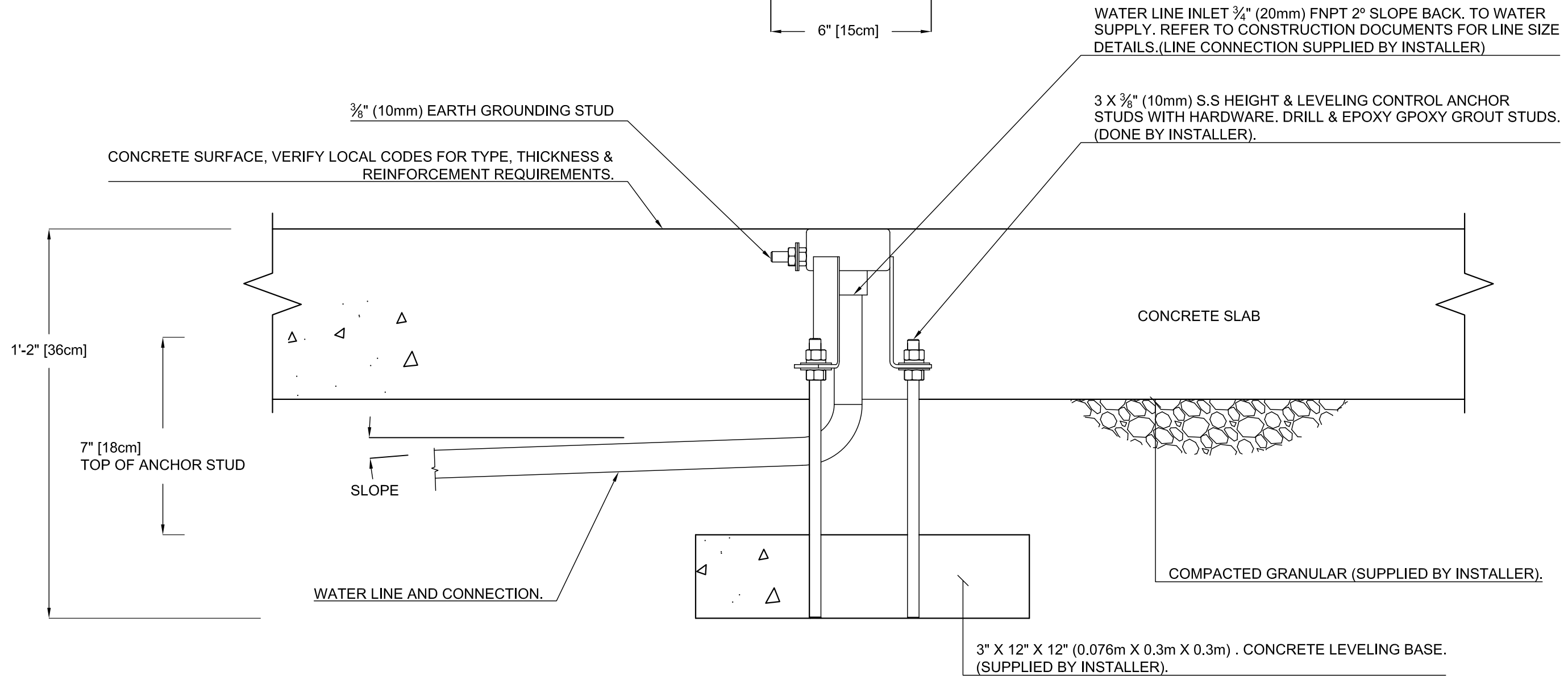


PLAN VIEW



NOTE:
 "BY INSTALLER/BY CONTRACTOR "MAY REFER TO SERVICE PROVIDERS OTHER THAN THE EQUIPMENT MANUFACTURER. PLEASE REFER TO PROJECT SPECIFICATION FOR DETAILS OF RESPONSIBILITY.

FRONT ELEVATION VIEW



PRODUCT NAME: DIRECTIONAL JET No.2

PRODUCT INFORMATION

PRODUCT NUMBER: VOR-0321.4XXX

DATE: 08/05/16

SHEET NO: 1/1

11"x17" SHEET SIZE

