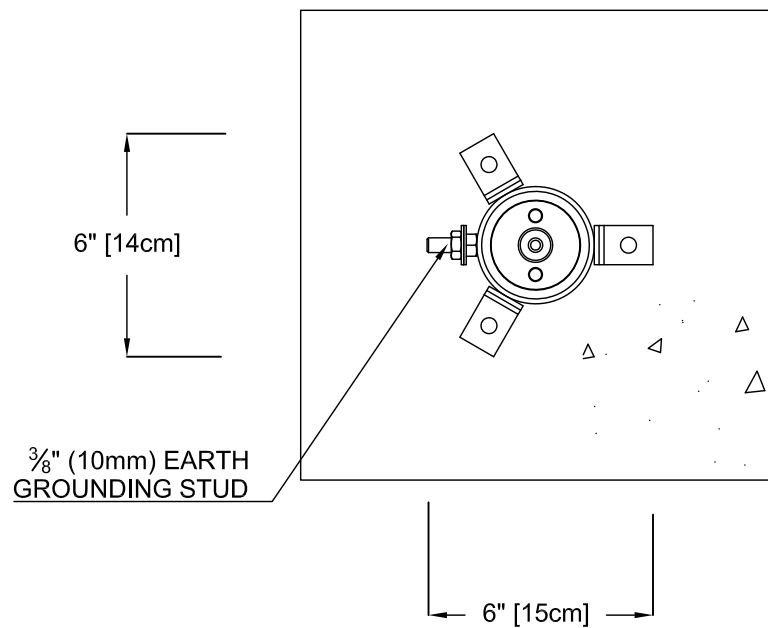
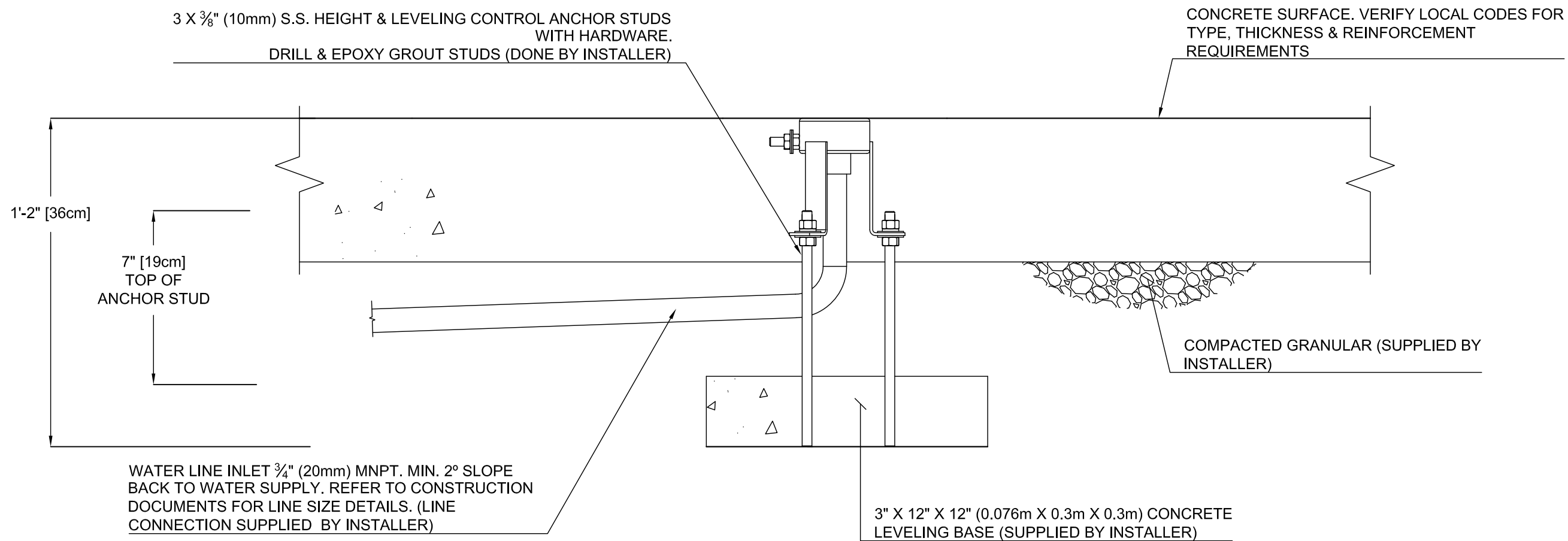


PLAN VIEW



FRONT ELEVATION VIEW



PRODUCT NAME: DIRECTIONAL JET No.1

PRODUCT INFORMATION

PRODUCT NUMBER: VOR-0305.4XXX

DATE: 08/23/16

SHEET NO: 1/1

11"x17" SHEET SIZE

