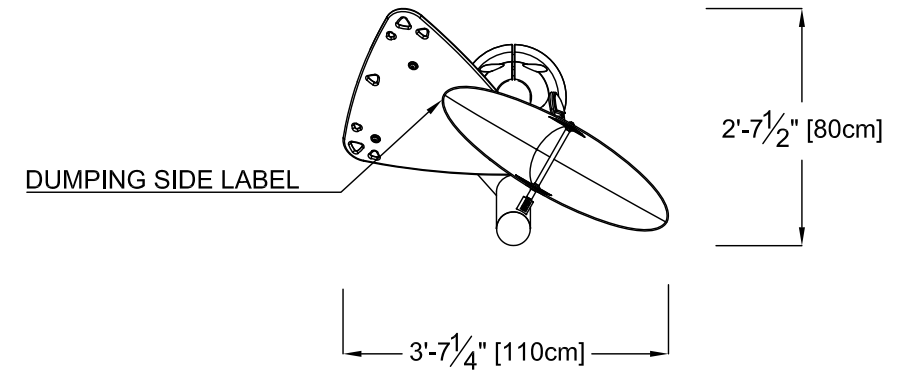
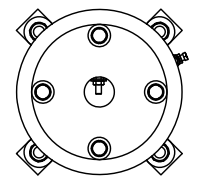


THESE DRAWINGS PROVIDE A GENERIC OVERVIEW OF THE INSTALLATION. THEY ARE NOT PROJECT SPECIFIC OR REFLECT ANY CUSTOMIZATION UNLESS NOTED. PLEASE CONTACT VORTEX AQUATIC STRUCTURES INTERNATIONAL FOR MORE DETAILS.

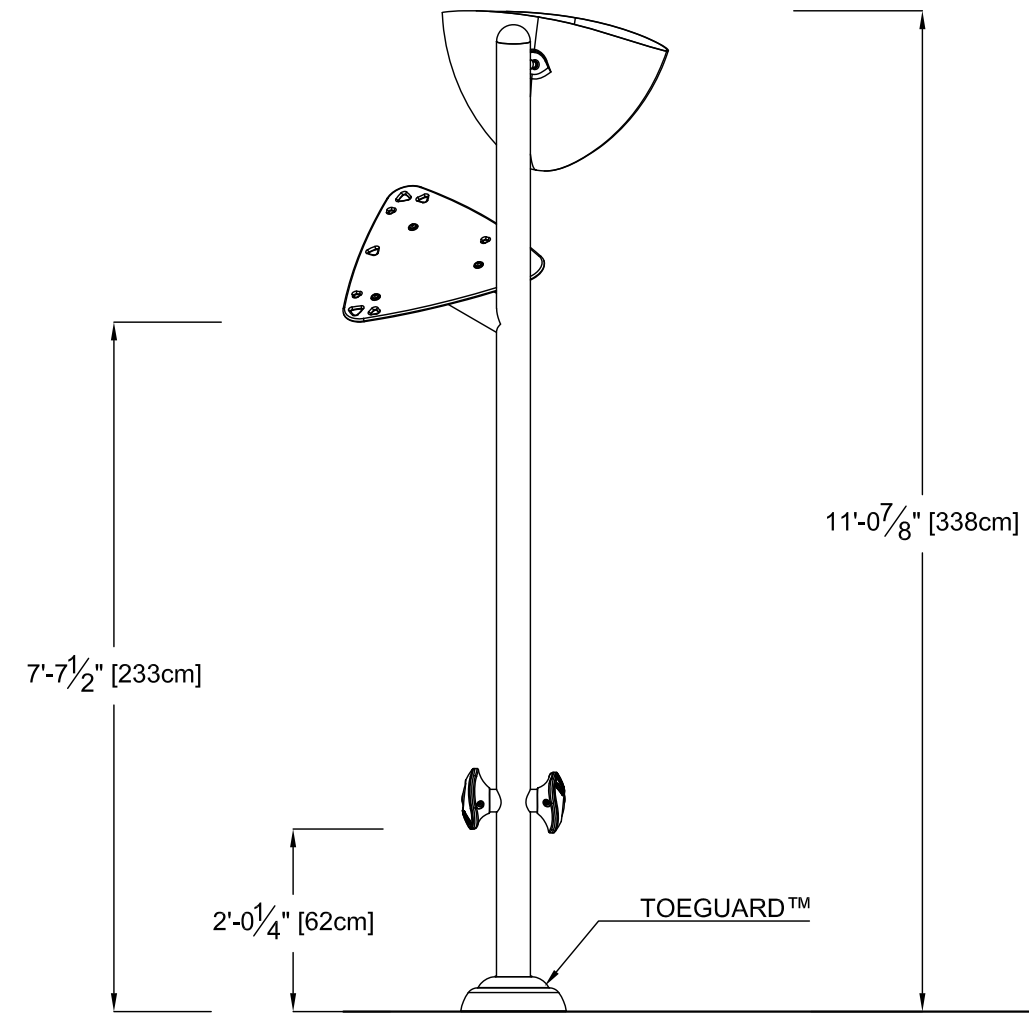
PLAN VIEW



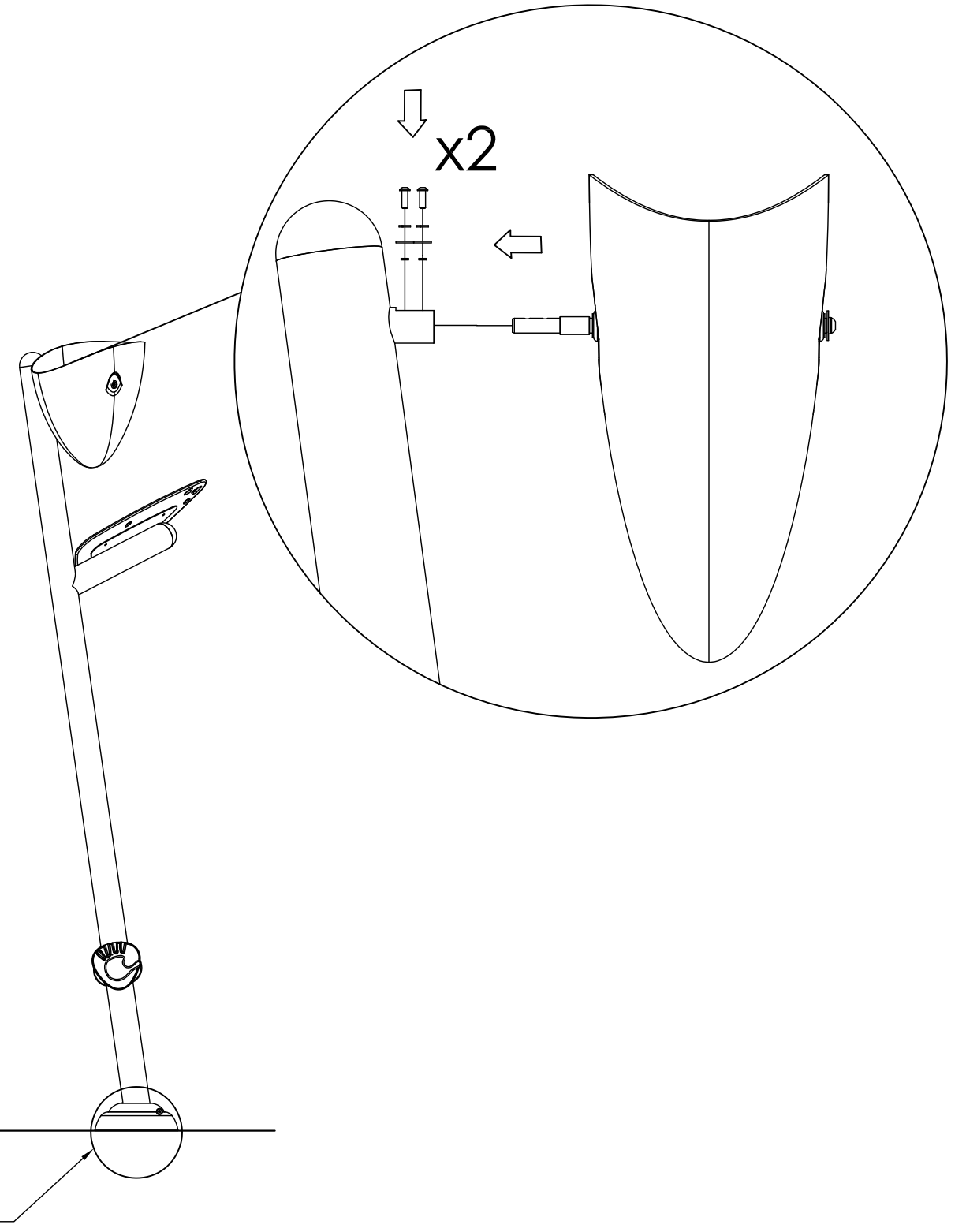
SAFESWAP ORIENTATION VIEW



FRONT ELEVATION VIEW



SIDE ELEVATION VIEW



PRODUCT NAME: DEFLEX

PRODUCT NUMBER: VOR-7281

DATE:12/20/2024

SHEET NO: 1/1

11"x17" SHEET SIZE

